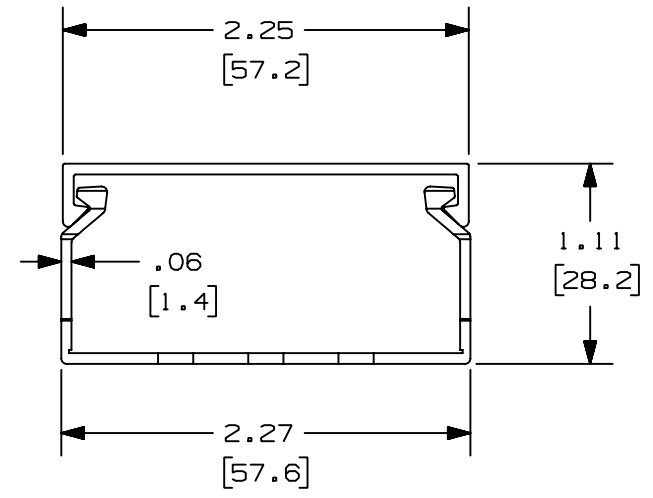
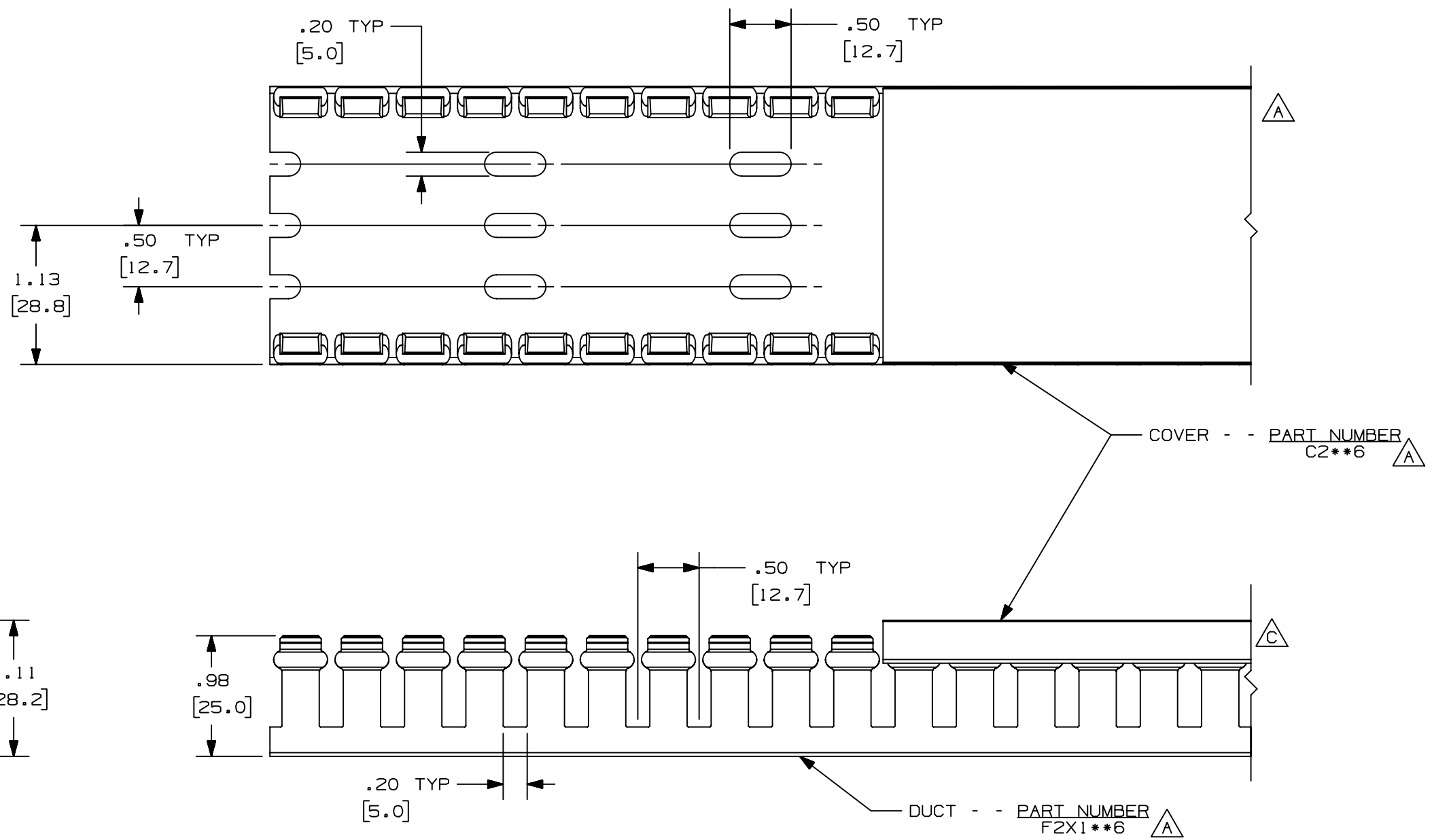


THIS COPY IS PROVIDED ON A RESTRICTED BASIS AND IS NOT TO BE USED IN ANY WAY DETRIMENTAL TO THE INTERESTS OF PANDUIT CORP.



- A** NOTE.
1. ALL DIMENSIONS ARE REFERENCE ONLY.
 2. DIMENSIONS IN PARENTHESES ARE METRIC.
 3. THE ** DENOTE COLOR.

				CAD FILENAME/LAYERS F2X1(36897-770)_01				
				PANDUIT CORP. TINLEY PARK, ILLINOIS				
				WIRING DUCT - TYPE F WITH COVER 2 X 1 MARKETING DRAWING				
1	9/17/04	JCST	MKBE	B. CHANGED DRAWING SIZE A. ADDED TOP VIEW, LABELS, AND NOTE	C. CHANGED VIEW	DRAWN BY JCST	MAT'L: PVC	SCALE FULL
R	5/23/03	JCST	JGG	DRAWING RELEASED		DATE 5/23/03		DRAWING NO. 36897-770
REV	DATE	BY	CHK	DESCRIPTION		CHECKED BY JGG		DWG SIZE B